

**LEGEND:**

- K105 LINE: - - -
- K105 STR: 21

**EVERSOURCE ENERGY**

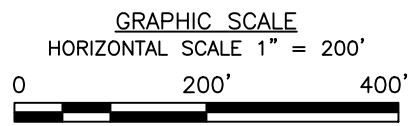
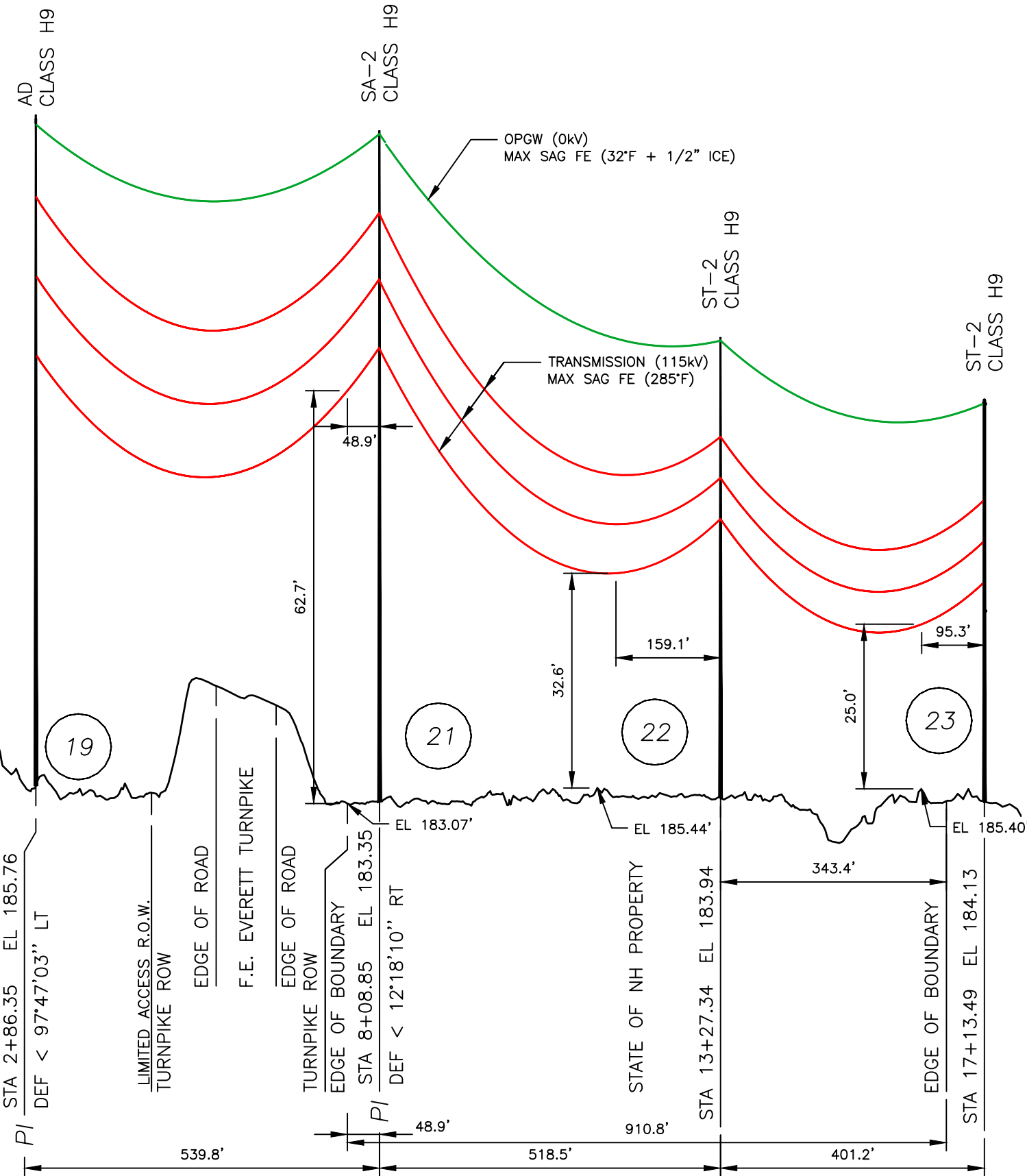
LINE K105 115kV TRANSMISSION  
STATE LAND CROSSING  
MERRIMACK, NEW HAMPSHIRE  
EXHIBIT 1

T	1
DRAWN GEB	
ENGINEER CJT	
CHECKED DWW	
APPROVED APS	
DATE 2/21/2021	

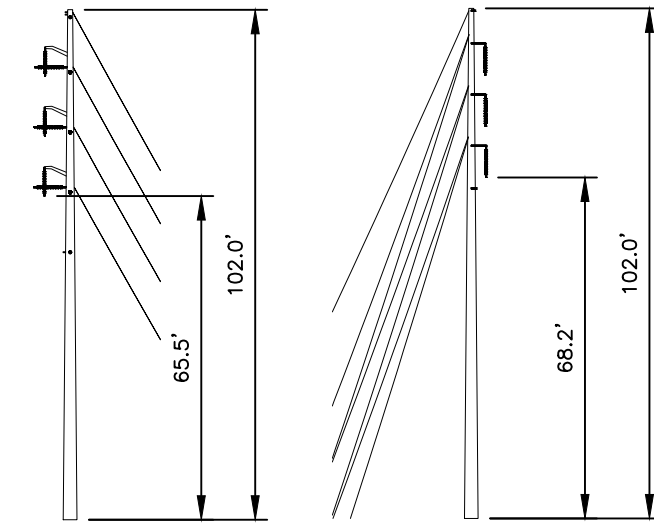
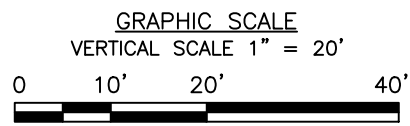
DWG REV	EPN/DESCRIPTION	CONT/PE#	DATE	DRN	CHKD	APPR
1	ISSUED TO PUC WO# TLNN2032	LEIDOS	02/21	GEB	DWW	APS

SCALE: 1" = 1500'  
FILE: K10543901.DWG  
IMAGE:

DRAWING NO.  
**K10543901**

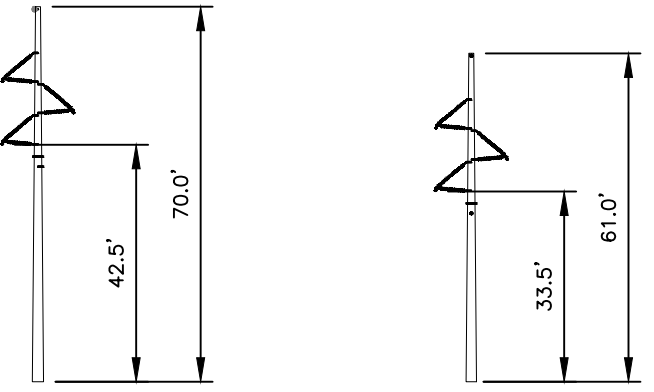


**PROFILE VIEW**  
SCALE: HORZ 1" = 200'  
VERT 1" = 20'



**STRUCTURE 19**  
TYPE AD  
STR 19: IS A EVERSOURCE TYPE AD, SINGLE CIRCUIT STEEL POLE DEADEND, GUYED.

**STRUCTURE 21**  
TYPE SA-2  
STR 21: IS A EVERSOURCE TYPE SA-2, SINGLE CIRCUIT STEEL POLE RUNNING ANGLE, GUYED.



**STRUCTURE 22**  
TYPE ST-2  
STR 22: IS A EVERSOURCE TYPE ST-2, SINGLE CIRCUIT STEEL POLE TANGENT, DELTA CONFIG.

**STRUCTURE 23**  
TYPE ST-2  
STR 23: IS A EVERSOURCE TYPE ST-2, SINGLE CIRCUIT STEEL POLE TANGENT, DELTA CONFIG, GUYED.

**STRUCTURE DETAIL**  
SCALE: NTS

STRUCTURE LOCATION		
STRUCTURE	LONGITUDE	LATITUDE
19	-71.46229746	42.90600708
21	-71.46423716	42.90585718
22	-71.46615979	42.90604988
23	-71.46764560	42.90618572

NESC VERTICAL CLEARANCE (FT)	
NATURE OF SURFACE UNDERNEATH WIRES, CONDUCTORS OR CABLES	115kV
OTHER AREAS TRAVERSED BY VEHICLES SUCH AS CULTIVATING, GRAZING, FOREST, AND ORCHARD LANDS, INDUSTRIAL AREAS, COMMERCIAL AREAS, ECT.	20.1

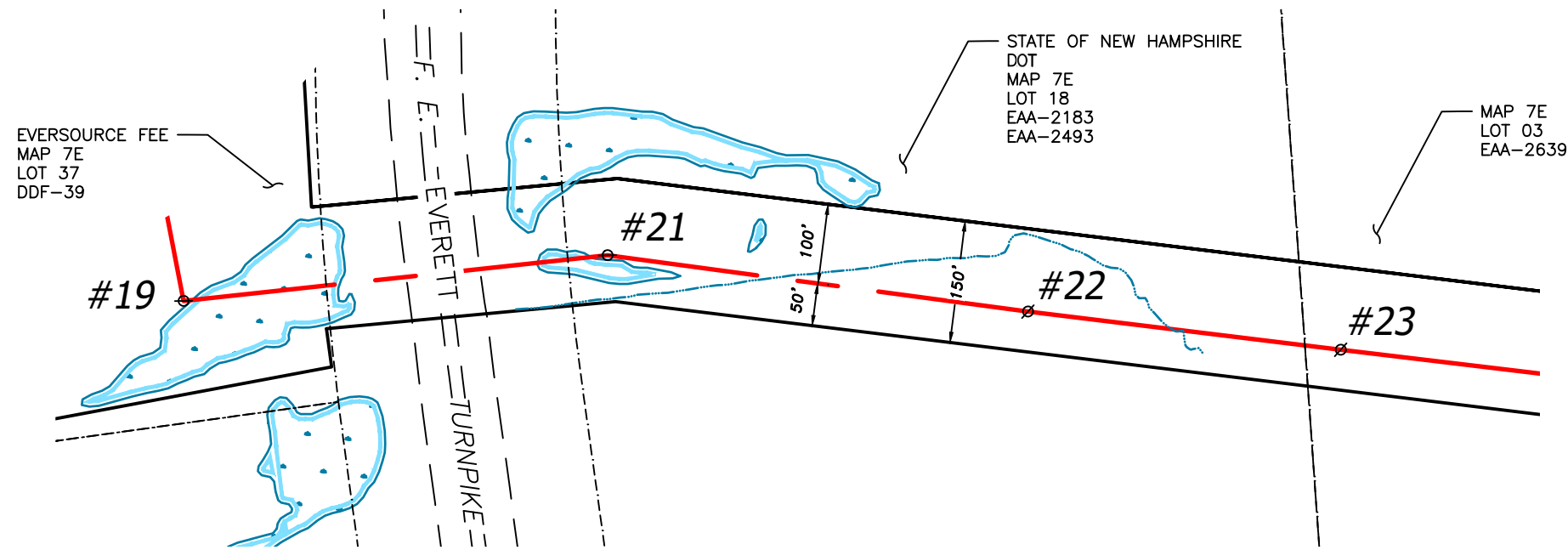
CABLE SCHEDULE					
WIRE	# OF CABLES	TYPE	DIA. (IN.)	WEIGHT (LBS.)/1000 FT	CABLE TENSION (LBS.)
OPGW	1	24F OPGW	0.5710	356	4,500
TRANSMISSION COND.	3	1272 KCMIL ACSR 45/7 BITTERN	1.3450	1,432	9,830

- NOTES:**
- ELEVATIONS REFERENCED TO THE NORTH AMERICAN VERTICAL DATUM OF 1988.
  - GROUND ELEVATION PROFILE DETERMINED USING INFORMATION FROM LIDAR SURVEY.
  - PARCEL INFORMATION OBTAINED FROM GRANIT.
  - SEE PAGE 3 OF 3 FOR PLAN VIEW.

LINE K105 115kV TRANSMISSION  
STATE LAND CROSSING PROFILE VIEW  
MERRIMACK, NEW HAMPSHIRE  
EXHIBIT 2

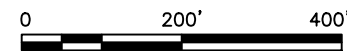
T	1
DRAWN	GEB
ENGINEER	CJT
CHECKED	DWW
APPROVED	APS
DATE	2/21/2021

DWG REV	ISSUED TO PUC WO# TLNN2032	LEIDOS	02/21	GEB	DWW	APS
1						



**PLAN VIEW**

SCALE: 1" = 200'



**LEGEND:**

- ⊗ STRUCTURE
- EDGE OF ROAD
- LINE, ☉ OF CONSTRUCTION
- ===== LIMITS OF EVERSOURCE RIGHT OF WAY
- PARCEL LINES

**EVERSOURCE ENERGY**

LINE K105 115kV TRANSMISSION  
STATE LAND CROSSING PLAN VIEW  
MERRIMACK, NEW HAMPSHIRE  
EXHIBIT 3

T	1
DRAWN GEB	
ENGINEER CJT	
CHECKED DWW	
APPROVED APS	
DATE 2/21/2021	

DWG REV	EPN/DESCRIPTION	CONT/PE#	DATE	DRN	CHKD	APPR
1	ISSUED TO PUC WO# TLNN2032	LEIDOS	02/21	GEB	DWW	APS

SCALE AS SHOWN	FILE: K10543901.DWG IMAGE:	DRAWING NO. K10543901
-------------------	-------------------------------	--------------------------